



DEAN RS
FRAME PASSPORT

TYPE: 7DB
LAST UPDATE: 19/10/2015

INDEX

- 0. UPDATES..... 3**
- 1. GENERAL..... 3**
 - 1.1. Description 3
 - 1.2. Part codes..... 3
- 2. MATERIAL 3**
- 3. WEIGHT 3**
 - 3.1. Frame..... 3
 - 3.2. Fork..... 3
- 4. GEOMETRY..... 4**
- 5. CABLE ROUTING 4**
 - 5.1. Compatibility 4
 - 5.2. Mechanical cable routing..... 4
- 6. PARTS 5**
 - 6.1. Fork..... 5
 - 6.1.1. Material..... 5
 - 6.1.2. Dimensions 5
 - 6.1.3. Part codes 6
 - 6.2. Headset..... 6
 - 6.3. Seat post..... 6
 - 6.3.1. Seat post clamp 7
 - 6.4. Bottom bracket 7
 - 6.5. Brakes..... 7
 - 6.6. Derailleur 7
 - 6.6.1. Front..... 7
 - 6.6.2. Rear..... 7
 - 6.7. Drop outs 7
- 7. WHEELS AND TIRES 8**
 - 7.1. Frame..... 8
 - 7.2. Fork..... 8
- 8. WARRANTY INFORMATION..... 8**
 - 8.1. Maximum rider weight 8

0. UPDATES

The development of frames, forks and components is a continuous running process. Therefore we strongly advise before reading this information sheet check our website for new updates.

1. GENERAL

1.1. DESCRIPTION

We understand the importance of a good fitting triathlon bike, that's why our Dean RS features more comfortable tri specific geometry. We don't stop there, our patented FAST-concept technology ensures that drag is kept to a minimum, so that you can save your energy for pushing hard on the pedals.

1.2. PART CODES

All the Dean frames have a particular part code composed by the letters "FRADRSRID...", added by 3 numbers. The three numbers change depending on the design and size of the frame. Due to the big amount of frames we don't list all the numbers but you can contact your local dealer for more information if needed.

2. MATERIAL

Used frame materials:

- 40 ton High Modulus Carbon
- 30 ton High Modulus Carbon
- 24 ton High Modulus Carbon
- Stainless steel (drop out protection plates)

3. WEIGHT

3.1. FRAME

| SIZE | WEIGHT (*) |
|------|------------|
| XS | 1320 GRAMS |
| S | 1360 GRAMS |
| M | 1400 GRAMS |
| L | 1450 GRAMS |

(*) Weight of painted frame, real weight may differ from the weight mentioned above by 10 %.

3.2. FORK

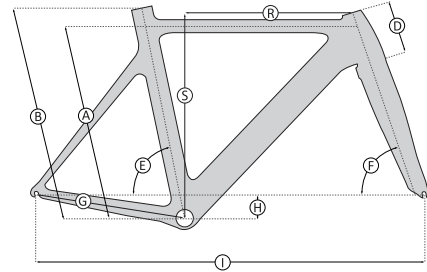
The weight of the 4ZA F-Splitfork TT is around 520 g (*)

(*) Weight of painted fork, real weight may differ from the weight mentioned above by 10 %.

4. GEOMETRY

| SIZE | A | B | C' | D | E | F | G | H | I | J* | S | R |
|------|-----|-----|-----|-----|----|------|-----|----|------|-----|-----|-----|
| XS | 410 | 460 | 500 | 85 | 78 | 72,5 | 390 | 60 | 967 | 745 | 480 | 404 |
| S | 450 | 495 | 522 | 110 | 78 | 73 | 390 | 65 | 985 | 767 | 512 | 418 |
| M | 510 | 556 | 545 | 130 | 78 | 73 | 390 | 65 | 1002 | 800 | 530 | 430 |
| L | 530 | 575 | 560 | 150 | 78 | 73 | 390 | 65 | 1020 | 815 | 550 | 440 |
| XL | 555 | 605 | 575 | 180 | 78 | 73 | 390 | 65 | 1036 | 842 | 577 | 450 |

(*) Stand over height



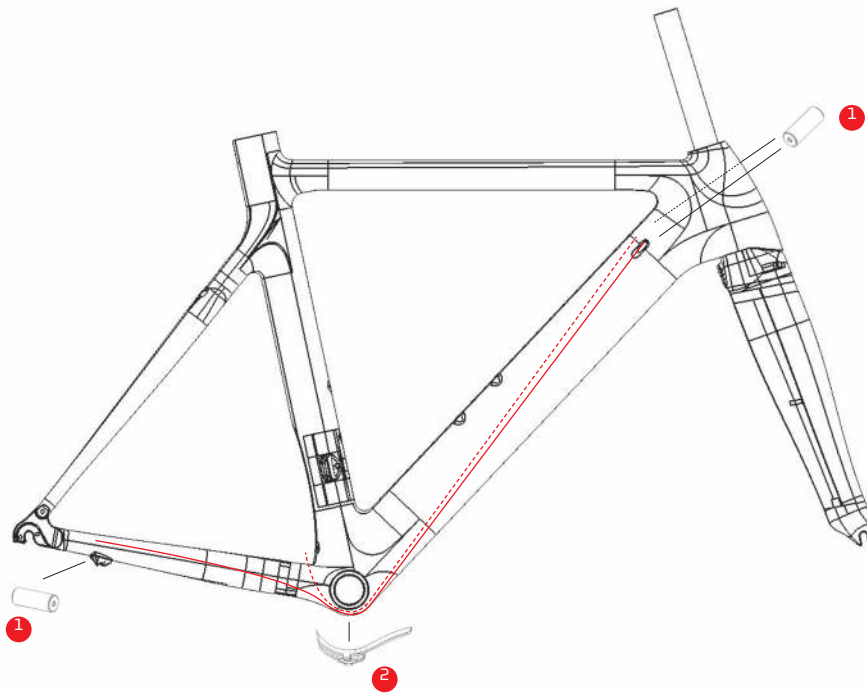
5. CABLE ROUTING

5.1. COMPATIBILITY

The Dean RS is compatible for mechanical group sets only.

5.2. MECHANICAL CABLE ROUTING

Below you can find the parts needed for a mechanical groupset:



| NO. | PART | PART CODE | QUANTITY |
|-----|-------------|---------------|----------|
| 1 | END CAP | CABSTIJAG002 | 3 |
| 2 | CABLE GUIDE | CBGR CERID002 | 1 |

6. PARTS

6.1. FORK

The standard fork, used for a Dean RS, is the 4ZA F-Splitfork TT.

6.1.1. MATERIAL

Fork legs: Carbon

Steerer tube: Carbon

6.1.2. DIMENSIONS

Steerer tube length: 300 mm

Headset: 1 1/8" upper ring – 1 1/8" lower ring

Fork rake: 44 mm

OLD (OverLock nut Distance): 100 mm

6.1.3. PART CODES

All the 4ZA F-Splitfork TT forks have a particular part code composed by the letters “FORRFL4ZA...”, added by 3 numbers. The three numbers, depending on the design. Due to the big amount of forks we don’t list all the numbers but you can contact your local dealer for more information if needed.

6.2. HEADSET

45° Oversized angular contact bearing (S.H.I.S: IS42/28,6|IS42/28.6):
 Lower bearing: 1 1/8”
 Upper bearing: 1 1/8”

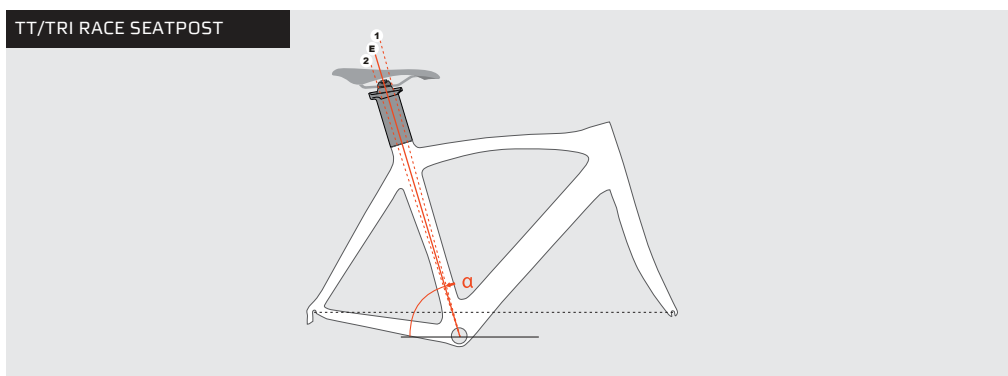
Recommended headset:

| RIDLEY PART CODE | TYPE | BRAND |
|------------------|-------|-------|
| HSERAC4ZA001 | NO.8B | FSA |

6.3. SEAT POST

The Dean RS is standard assembled with the Ridley aero TT seat post (Part code: SEPAER4ZA003). Using this seat post you can choose three different seat angle settings like illustrated below. For those who wants to have extra setback there’s also a seat post (Part code: SEPAER4ZA004) with four different seat angle settings available. This seat post has an additional seat angle of 1° more backwards, meaning 1° more backward compared to the rear positions listed below.

| SIZE | E (SEAT TUBE ANGLE) | TT/TRI SEATPOST | |
|------|---------------------|-----------------|----------|
| | | 1 (FRONT) | 2 (REAR) |
| XS | 78 | 79 | 77 |
| S | 78 | 79 | 77 |
| M | 78 | 79 | 77 |
| L | 78 | 79 | 77 |
| XL | 78 | 79 | 77 |



* SEATANGLES ARE GIVEN WITH THE SADDLE RAIL in the middle of the seatclamp

6.3.1 SEAT POST CLAMP

To fix the aero seat post the SPCAER4ZA002 seat post clamp has to be used. Maximum allowed torque is 4Nm.

6.4. BOTTOM BRACKET

The bottom bracket is BSA threaded and has a width of 68 mm to fit standard BSA68 cups.

6.5. BRAKES

The Dean RS is suited for most standard brakes, available in the market.

! PAY ATTENTION THE USED BRAKE BOLT NUT IS NOT LONGER THAN 10 MM



6.6. DERAILLEUR

6.6.1. FRONT

The frame is provided with a braze on mount.

6.6.2. REAR

The hanger, used for the Dean RS is the HAARCERID023.



6.7. DROP OUTS

The carbon drop outs have stainless steel inserts for extra protection.

7. WHEELS AND TIRES

7.1. FRAME

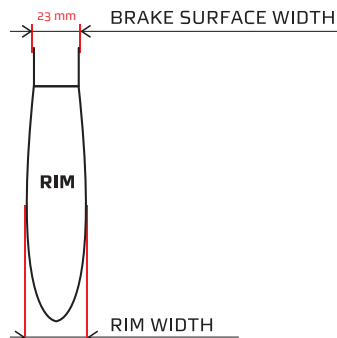
The frame is developed for 700C race wheels with a build in width of 130 mm and a quick release system with a maximum diameter of 10 mm.

Frame - wheel clearance

The frame can accommodate wheels with a maximum rim width of 28 mm.

Frame - tire clearance

The maximum recommended tire width is 23 mm.



7.2. FORK

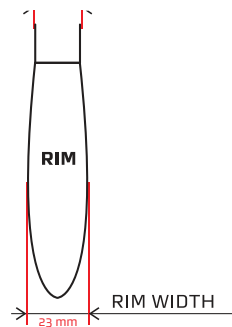
The fork is developed for 700C race wheels with a build in width of 100 mm and a quick release system with a maximum diameter of 9 mm.

Fork - wheel clearance

The 4ZA F-Splitfork TT can accommodate wheels with a maximum rim width of 23 mm.

Fork - tire clearance

The maximum recommended tire width is 23 mm.



8. WARRANTY INFORMATION

8.1. MAXIMUM RIDER WEIGHT

The maximum advised rider weight is 95 kg.

#BeTOUGH