



# **NOAH RS**

FRAME PASSPORT

TYPE: 7DB  
LAST UPDATE: 21/08/2015

**#BeTOUGH**

**INDEX**

- 0. UPDATES..... 3**
- 1. GENERAL..... 3**
  - 1.1. Description ..... 3
  - 1.2. Part codes..... 3
- 2. MATERIAL ..... 3**
- 3. WEIGHT ..... 3**
  - 3.1. Frame..... 3
  - 3.2. Fork..... 3
- 4. GEOMETRY..... 4**
- 5. CABLE ROUTING ..... 4**
  - 5.1. Compatibility ..... 4
  - 5.2. Mechanical cable routing..... 4
- 6. PARTS ..... 5**
  - 6.1. Fork..... 5
    - 6.1.1. Material..... 5
    - 6.1.2. Dimensions ..... 5
    - 6.1.3. Part codes ..... 5
  - 6.2. Headset..... 6
  - 6.3. Seat post..... 6
    - 6.3.1. Seat post clamp ..... 7
  - 6.4. Bottom bracket ..... 7
  - 6.5. Brakes..... 7
  - 6.6. Derailleur ..... 8
    - 6.6.1. Front ..... 8
    - 6.6.2. Rear..... 8
  - 6.7. Drop outs ..... 8
- 7. WHEELS AND TIRES..... 8**
  - 7.1. Frame..... 8
  - 7.2. Fork..... 9
  - 7.3. Tires ..... 9
- 8. WARRANTY INFORMATION..... 9**
  - 8.1. Maximum rider weight ..... 9



## 0. UPDATES

The development of frames, forks and components is a continuous running process. Therefore we strongly advise before reading this information sheet check our website for new updates.

## 1. GENERAL

### 1.1. DESCRIPTION

The Noah RS inherits groundbreaking FAST-concept technology and geometry from the Noah and provides the FAST aerodynamic advantages at an entirely new price level.

### 1.2. PART CODES

All the Noah RS frames have a particular part code composed by the letters "FRANRSRID...", added by 3 numbers. The three numbers change depending on the design and size of the frame. Due to the big amount of frames we don't list all the numbers but you can contact your local dealer for more information if needed.

## 2. MATERIAL

Used frame materials:

- 40 ton High Modulus Carbon
- 30 ton High Modulus Carbon
- 24 ton High Modulus Carbon
- Stainless steel (drop out protection plates)

## 3. WEIGHT

### 3.1. FRAME

SIZE	WEIGHT (*)
XS	1330 GRAMS
S	1370 GRAMS
M	1410 GRAMS
L	1460 GRAMS
XL	1510 GRAMS

(\*) Weight of painted frame, real weight may differ from the weight mentioned above by 10 %.

### 3.2. FORK

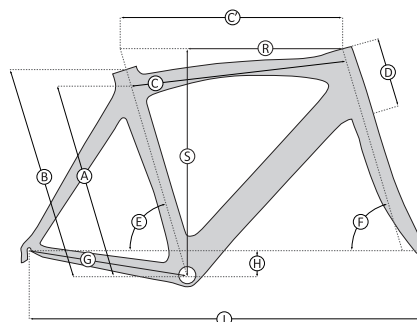
The weight of the 4ZA F-Splitfork Race is around 430 g (\*)

(\*) Weight of painted fork, real weight may differ from the weight mentioned above by 10 %.

## 4. GEOMETRY

SIZE	A	B	C	C'	D	E	F	G	H	I	J*	S	R
XS	440	480	510	525	130	74	72	405	66	974	740	530	375
S	470	510	530	545	145	73,5	73	405	66	977	750	545	385
M	500	540	550	565	175	73	73,5	405	66	990	780	575	390
L	530	570	570	585	205	72,5	73,5	408	63	1003	810	602	400
XL	560	600	585	600	230	72,5	74	408	63	1012	840	625	405

(\*) J: Stand over height



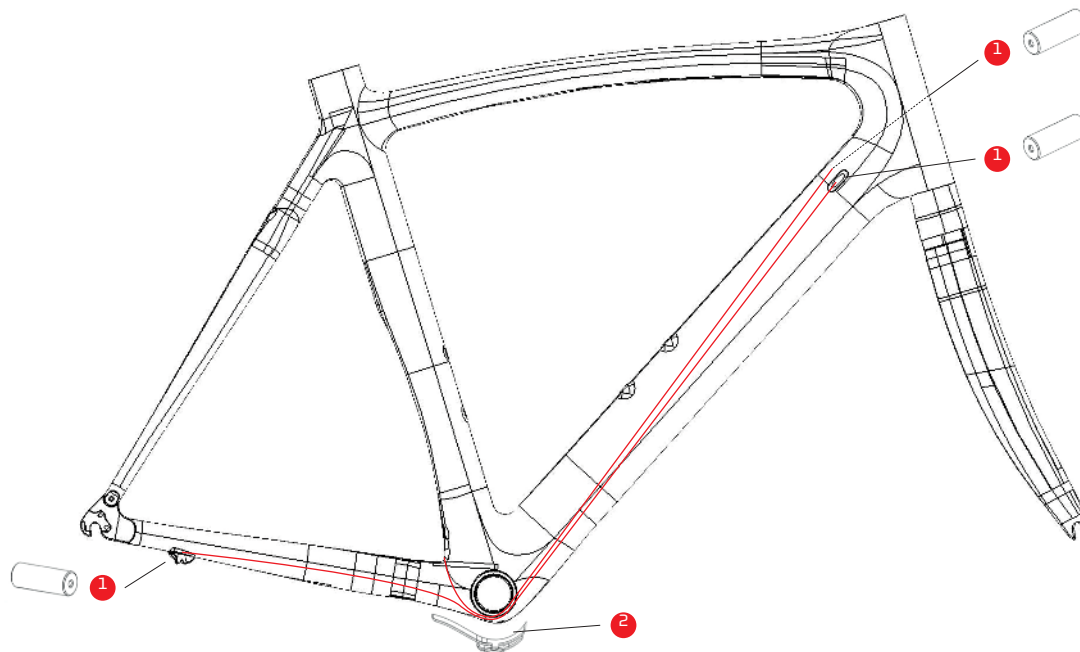
## 5. CABLE ROUTING

### 5.1. COMPATIBILITY

The Noah RS is compatible for mechanical groupsets only.

### 5.2. MECHANICAL CABLE ROUTING

Below you can find the parts needed for a mechanical groupset:



NO.	PART	PART CODE	QUANTITY
1	END CAP	CABSTIJAG002	3
2	CABLE GUIDE	CBGR CERID002	1

## 6. PARTS

### 6.1. FORK

The standard fork, used for a Noah RS, is the 4ZA F-Splitfork Sphinx.

#### 6.1.1. MATERIAL

Fork legs: Carbon  
Steerer tube: Alloy

#### 6.1.2. DIMENSIONS

Steerer tube length: 300 mm  
Headset: 1 1/8" upper ring – 1 1/8" lower ring  
Fork rake: 44 mm  
OLD (OverLock nut Distance): 100 mm

#### 6.1.3. PART CODES

All the 4ZA F-Splitfork Sphinx forks have a particular part code composed by the letters "FORRFL-4ZA...", added by 3 numbers. The three numbers, depending on the design. Due to the big amount of forks we don't list all the numbers but you can contact your local dealer for more information if needed.

6.2. HEADSET

45° Oversized angular contact bearing (S.H.I.S. : IS52/40| IS52/40):

Lower bearing: 1 1/8"

Upper bearing: 1 1/8"

Recommended headset:

RIDLEY PART CODE	TYPE	BRAND
HSERAC4ZA001	NO.8B	FSA

6.3. SEAT POST

The Noah RS is standard assembled with the Ridley aero race seat post (Part code: SEPAER4ZA005). However to have multiple seat angle positions also the Ridley aero TT seat post (Part code: SEPAER4ZA003) can be used. Using the Ridley aero TT seat post you can choose three different seat angle settings.



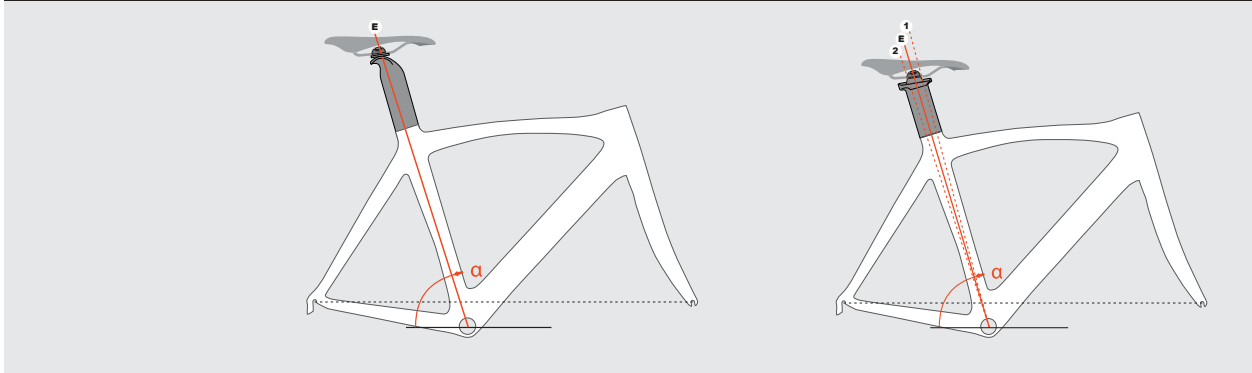
SIZE	E (SEAT TUBE ANGLE)	TT/TRI SEATPOST: SERAER4ZA003	
		1 (FRONT)	2 (REAR)
XS	74	75,5	73
S	73,5	75	72,5
M	73	74,5	72
L	72,5	74	71,5
XL	72,5	74	71,5



PART CODE: SEPAER4ZA005

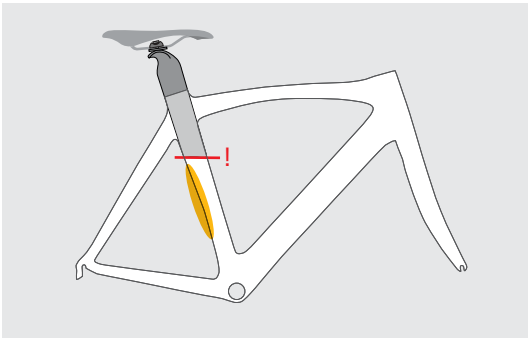
PART CODE: SEPAER4ZA003

AERO TT/TRI – RACE SEATPOST COMPARISON



\* SEATANGLES ARE GIVEN WITH THE SADDLE RAIL IN THE MIDDLE OF THE SEATCLAMP

**! PAY ATTENTION FOR THE MAXIMUM INSERT DEPTH OF THE SEAT POST. INSERTING THE SEAT POST TOO DEEPLY INTO THE SEAT TUBE CAN DAMAGE THE SEAT TUBE AT THE WHEEL CUT OUT AREA.**



The maximum insert depth depends from the frame size:

SIZE	MAXIMUM INSERT DEPTH
XS	19 CM
S	22 CM
M	25 CM
L	28 CM
XL	31 CM

#### 6.3.1. SEAT POST CLAMP

To fix the aero seat post the SPCAER4ZA002 seat post clamp has to be used.

#### 6.4. BOTTOM BRACKET

The bottom bracket is BSA threaded and has a width of 68 mm to fit standard BSA68 cups.

#### 6.5. BRAKES

The Noah RS is suited for most standard brakes, available in the market.

**! PAY ATTENTION THE USED BRAKE BOLT NUT IS NOT LONGER THAN 10 MM**





## 6.6. DERAILLEUR

### 6.6.1. FRONT

The frame is provided with a braze on clamp.

### 6.6.2. REAR

The hanger, used for the Noah RS is the HAARCERID023.



## 6.7. DROP OUTS

The carbon drop outs have stainless steel inserts for extra protection.

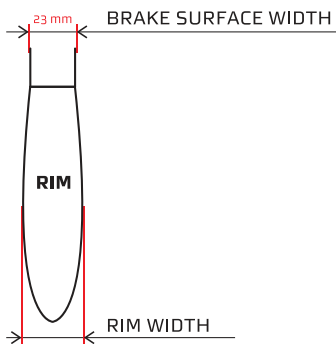
# 7. WHEELS AND TIRES

### 7.1. FRAME

The frame is developed for 700C race wheels with a build in width of 130 mm and a quick release system with a maximum diameter of 10 mm.

#### Frame - wheel clearance

The frame can accommodate wheels with a maximum rim width of 25 mm.



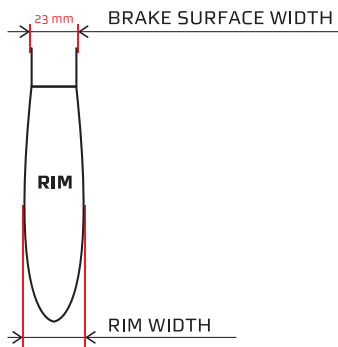


## 7.2. FORK

The fork is developed for 700C race wheels with a build in width of 130 mm and a quick release system with a maximum diameter of 9 mm.

### Fork - wheel clearance

The fork can accommodate wheels with a maximum rim width of 25 mm.



## 7.3. TIRES

The maximum recommended tire width is 23 mm.

Please note that not all tire manufacturers use the same sizing standard so we recommend to do assembly check and confirm clearances.

# 8. WARRANTY INFORMATION

## 8.1 MAXIMUM RIDER WEIGHT

The maximum advised rider weight is 95 kg.

**#BeTOUGH**