

X-NIGHT ISP ***FRAME PASSPORT***

Type: 7DD
last update: 11/10/2017

#BeTOUGH

INDEX

- 0. UPDATES..... 3**
- 1. GENERAL..... 3**
 - 1.1. Description 3
 - 1.2. Part codes..... 3
- 2. MATERIAL 3**
- 3. WEIGHT 3**
 - 3.1. Frame..... 3
 - 3.2. Fork..... 3
- 4. GEOMETRY..... 4**
- 5. CABLE ROUTING 4**
 - 5.1. Compatibility 4
 - 5.2. Mechanical cable routing..... 4
 - 5.3. Electronic cable routing 5
- 6. PARTS 5**
 - 6.1. Fork..... 5
 - 6.1.1. Material..... 5
 - 6.1.2. Dimensions 5
 - 6.1.3. Brakes..... 6
 - 6.1.4. Part codes 6
 - 6.2. Headset 6
 - 6.3. Seat post..... 7
 - 6.3.1. Cutting the seat post..... 7
 - 6.3.2. Spacers 7
 - 6.3.3. Saddle clamps 7
 - 6.4. Bottom bracket 9
 - 6.5. Brakes..... 9
 - 6.6. Derailleur 9
 - 6.6.1. Front..... 9
 - 6.6.2. Rear..... 9
- 7. WHEELS AND TIRES..... 10**
 - 7.1. Frame..... 10
 - 7.2. Fork..... 10
- 8. WARRANTY INFORMATION..... 10**
 - 8.1. Maximum rider weight 10

0. UPDATES

The development of frames, forks and components is a continuous running process. Therefore we strongly advise before reading this information sheet check our website for new updates.

1. GENERAL

1.1. DESCRIPTION

The most advanced cross frame in the world, winner of 4 world championships: 2006, 2007, 2009 and 2010.

1.2. PART CODES

All the X-Night frames have a particular part code composed by the letters "FRAXNY...", added by 3 numbers. The three numbers change depending on the design and size of the frame. Due to the big amount of frames we don't list all the numbers but you can contact your local dealer for more information if needed.

2. MATERIAL

Used frame materials:

- 30 ton High Modulus Carbon
- 24 ton High Modulus Carbon
- Stainless steel (drop out protection plates)

3. WEIGHT

3.1. FRAME

SIZE	WEIGHT (*)
S	1450 GRAMS
M	1480 GRAMS
L	1510 GRAMS
XL	1550 GRAMS
XXL	1590 GRAMS

(*) Weight of painted frame, real weight may differ from the weight mentioned above by 10 %.

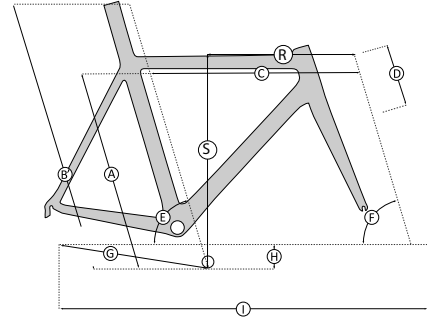
3.2. FORK

The weight of the 4ZA Oryx Pro fork is around 440 g (*)

(*)Weight of painted fork, real weight may differ from the weight mentioned above by 10 %.

4. GEOMETRY

SIZE	A	B	C	D	E	F	G	H	I	J	S	R
50	500	680	530	120	74	72	425	57	1008	835	516	378
52	520	710	535	139	73,5	72	425	59	1009	850	533	373
54	540	740	545	158	73,5	72	425	61	1019	870	554	377
56	560	770	560	178	73,5	72	425	61	1035	885	573	387
58	580	800	575	197	73	72	425	61	1045	905	591	392



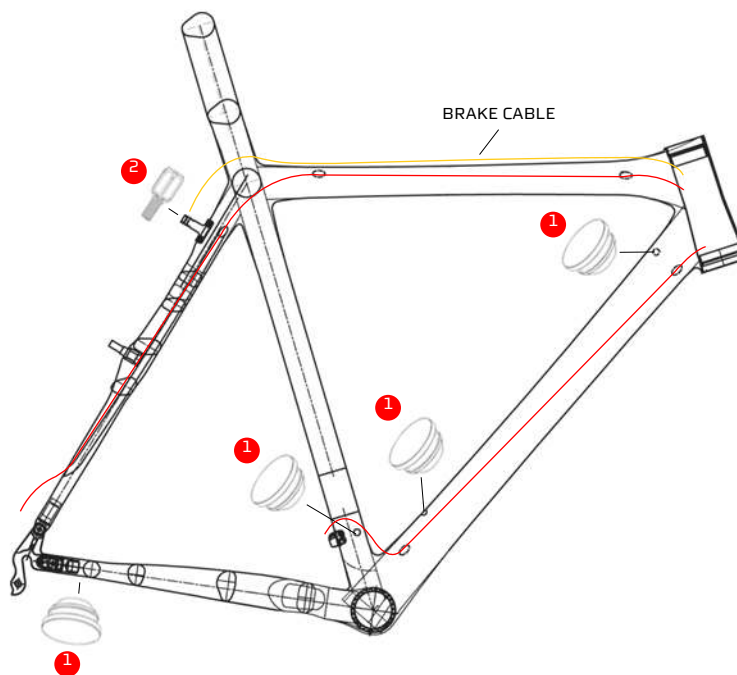
5. CABLE ROUTING

5.1. COMPATIBILITY

- Mechanical groupsets
- Electronical groupsets: Shimano Di2 & Campagnolo EPS

5.2. MECHANICAL CABLE ROUTING

For the mechanical cable routing of the X-Night the full outer cable passes the tubes of the frame like illustrated below.

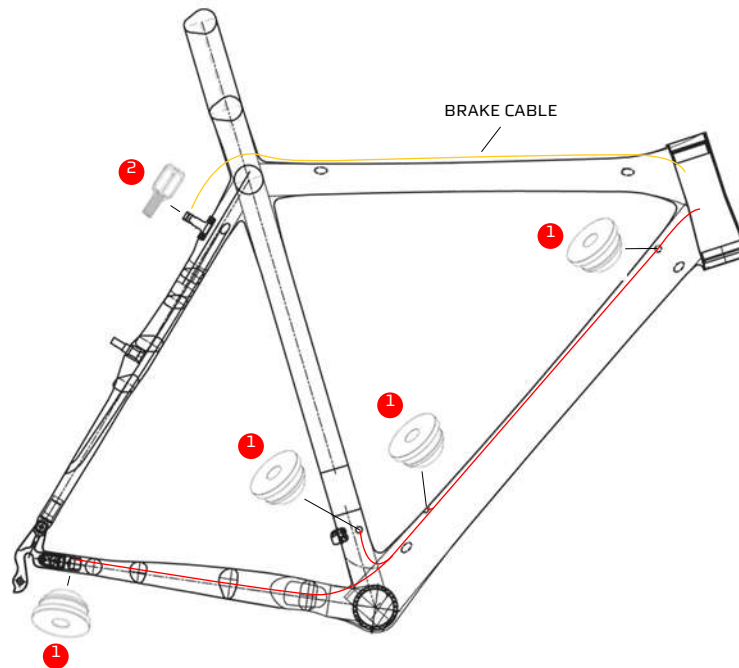


NO.	PART	PART CODE	QUANTITY
1	CLOSED GROMMET	FRPGROJAG002	4
2	CABLE ADJUSTER (*)	CABSTI4ZA005	1

(*) The cable adjuster is only needed for cyclocross cantilever brakes, not for mini V-brakes.

5.3. ELECTRONIC CABLE ROUTING

Below you can find a drawing of the parts needed for an electronic groupset:



NO.	PART	PART CODE	QUANTITY
1	OPEN GROMMET	FRPGROJAG003	4
2	CABLE ADJUSTER (*)	CABSTI4ZA005	1

(*) The cable adjuster is only needed for cyclocross cantilever brakes, not for mini V-brakes.

6. PARTS

6.1. FORK

The standard fork, used for a X-Night, is the 4ZA Oryx Pro fork.

6.1.1. MATERIAL

- Fork legs: Carbon
- Steerer tube: Carbon

6.1.2. DIMENSIONS

- Steerer tube length: 300 mm
- Headset: 1 1/8" upper ring – 1 1/2" lower ring
- Fork rake: 47 mm
- OLD (OverLock nut Distance): 100 mm

6.1.3. BRAKES

The 4ZA Oryx pro fork is suited for most standard cantilever brakes available in the market.

6.1.4. PART CODES

All the 4ZA Oryx Pro forks have a particular part code composed by the letters "FORORY4ZA...", added by 3 numbers. The three numbers, depending on the design. Due to the big amount of forks we don't list all the numbers but you can contact your local dealer for more information if needed.

6.2. HEADSET

45° Oversized angular contact bearing (S.H.I.S.: Z544/28,6|IS52/40):

- Lower bearing: 1 1/2"
- Upper bearing: 1 1/8"

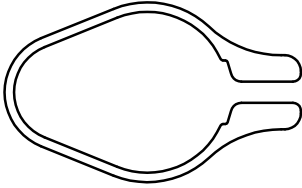
Recommended headset:

RIDLEY PART CODE	TYPE	BRAND	BRAKES
HSECRSFS003	9M/CUP/CC-CX/42/ACB	FSA	CYCLO CROSS BRAKES

6.3. SEAT POST

6.3.1. CUTTING THE SEAT POST

Cut the integrated seat post at a desired length with the help of a standard metal saw and the Ridley cutting guide (Part code: SPCDEA4ZA007). Use a Ridley saddle clamp to fit the saddle on the integrated seat post.

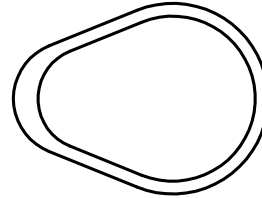


! KEEP IN MIND THE MAXIMUM CUT OFF LENGTH OF 70 MM.

6.3.2. SPACERS

The bottom of the saddle clamp has to be supported. If the saddle clamp doesn't touch the top of the seat tube it's necessary to fill up the gap between seat tube and saddle clamp with spacers. Below you can find a list with all the available spacers.

PART CODE	DESCRIPTION	THICKNESS
SPCHEL4ZA003	ALLOY SPACER	10 MM
SPCHEL4ZA004	ALLOY SPACER	1 MM
SPCHEL4ZA005	ALLOY SPACER	3 MM
SPCHEL4ZA006	ALLOY SPACER	5 MM
SPCHEL4ZA007	ALLOY SPACER	8 MM





! KEEP IN MIND THE MAXIMUM AMOUNT OF SPACERS. THE MARK ON THE SADDLE CLAMP HAS TO BE BELOW THE TOP OF THE SEAT TUBE.

6.3.3. SADDLE CLAMPS


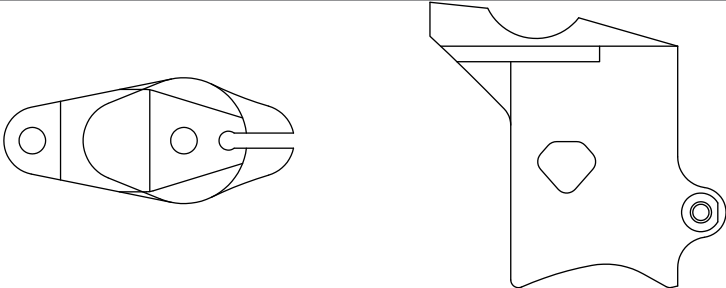
Below you can find a list with all the available saddle clamps, followed by a drawing and detailed information of each clamp.

PART CODE	DESCRIPTION	COLOR
SPCHELZA002	SADDLE CLAMP RACE, EXTRA HIGH	BLACK
SPCHELZA010	SADDLE CLAMP RACE	BLACK
SPCHELZA013	SADDLE CLAMP RACE	WHITE
SPCHELZA014	SADDLE CLAMP RACE, EXTRA HIGH	WHITE

SPCHEL4ZA010 (Black) & SPCHEL4ZA013 (White)

AVAILABLE COLOR OPTIONS	BLACK & WHITE
MAXIMUM SPACER HEIGHT ⁽¹⁾	20 MM
	

SPCHEL4ZA002 (Black) & SPCHEL4ZA014 (White)

AVAILABLE COLOR OPTIONS	BLACK & WHITE
MAXIMUM SPACER HEIGHT ⁽¹⁾	40 MM
	

(1) The maximum allowed spacers height between the integrated seat post and the saddle clamp. This is just a reference value, never use more spacers then the mark mentioned on the saddle clamp.

6.4. BOTTOM BRACKET

The bottom bracket is designed for press fit BB30 cups with a diameter of 46 mm and width of 68 mm. We recommend to only use plastic press fit cups for our frames. The use of metal cups can damage the frame.

Below bottom bracket cups are being used for the standard assembled bikes.

PART CODE	BRAND	DESCRIPTION	CRANKSET
BBRPF3SRA001	SRAM	PRESS FIT BB 30 CUPS	SRAM PRESSFIT BB 30 CRANKSETS
BBRPF3SRA003	SRAM	PRESS FIT BB 30 TO BSA 68 ADAPTER	SRAM BSA 68 CRANKSETS SHIMANO BSA 68 CRANKSETS
BBRPF3CAM002	CAMPAGNOLO	ULTRA TORQUE™ OS-FIT™ INTEGRATED CUPS BB30 68X46	CAMPAGNOLO ULTRA TORQUE CRANKSETS
BBRPF3CAM003	CAMPAGNOLO	POWER TORQUE™ OS-FIT™ INTEGRATED CUPS BB30 68X46	CAMPAGNOLO POWER TORQUE CRANKSETS

6.5. BRAKES

The X-Night is suited for most standard cantilever brakes, available in the market.

6.6. DERAILLEUR

6.6.1. FRONT

The frame is designed to use a clamp on down pull derailleur for a 34,9 mm seat tube. Also a braze on derailleur can be used if it's used together with the 4ZA 34,9 mm front derailleur clamp (Part code: FDCNOB4ZA004).

6.6.2. REAR

The CNC drop outs with integrated hanger are fully replaceable.



HAACRSRID005



HAACRSRID006

7. WHEELS AND TIRES

7.1. FRAME

The frame is developed for 700C wheels with a build in width of 135 mm and a quick release system with a maximum diameter of 10 mm.

7.2. FORK

The fork is developed for 700C race wheels with a build in width of 100 mm and a quick release system with a maximum diameter of 9 mm.

8. WARRANTY INFORMATION

8.1. MAXIMUM RIDER WEIGHT

The maximum advised rider weight is 95 kg.

#BeTOUGH