



# **X-FIRE**

FRAME PASSPORT

TYPE: 7DD

LAST UPDATE: 21/10/2015

**#BeTOUGH**

**INDEX**

- 0. UPDATES..... 3**
- 1. GENERAL..... 3**
  - 1.1. Description ..... 3
  - 1.2. Part codes..... 3
- 2. MATERIAL ..... 3**
- 3. WEIGHT ..... 3**
  - 3.1. Frame..... 3
  - 3.2. Fork..... 3
- 4. GEOMETRY..... 4**
- 5. CABLE ROUTING ..... 4**
  - 5.1. Compatibility ..... 4
  - 5.2. Mechanical cable routing..... 4
  - 5.3. Electronic cable routing ..... 5
- 6. PARTS ..... 5**
  - 6.1. Fork..... 5
    - 6.1.1. Material..... 5
    - 6.1.2. Dimensions ..... 5
    - 6.1.3. Brakes..... 6
    - 6.1.4. Part codes ..... 6
  - 6.2. Headset ..... 6
  - 6.3. Seat post..... 6
  - 6.4. Bottom bracket ..... 6
  - 6.5. Brakes..... 7
  - 6.6. Derailleur ..... 7
    - 6.6.1. Front ..... 7
    - 6.6.2. Rear..... 7
  - 6.7. Drop outs ..... 7
- 7. WHEELS AND TIRES..... 7**
  - 7.1. Frame..... 7
  - 7.2. Fork..... 7
- 8. WARRANTY INFORMATION..... 7**
  - 8.1. Maximum rider weight ..... 7

## 0. UPDATES

The development of frames, forks and components is a continuous running process. Therefore we strongly advise before reading this information sheet check our website for new updates.

## 1. GENERAL

### 1.1. DESCRIPTION

Turn grit into glory and allow your expectations to be exceeded with the X-Fire. The X-Fire offers unbeatable value for money and is the best performing frame in its class.

### 1.2. PART CODES

All the X-Fire frames have a particular part code composed by the letters "FRAXFI...", added by 3 numbers. The three numbers change depending on the design and size of the frame. Due to the big amount of frames we don't list all the numbers but you can contact your local dealer for more information if needed.

## 2. MATERIAL

Used frame materials:

- 24 ton High Modulus Carbon
- Stainless steel (drop out protection plates)

## 3. WEIGHT

### 3.1. FRAME

SIZE	WEIGHT (*)
41	1150 GRAMS
48	1200 GRAMS
50	1240 GRAMS
52	1280 GRAMS
54	1330 GRAMS
56	1380 GRAMS
58	1440 GRAMS

(\*) Weight of painted frame, real weight may differ from the weight mentioned above by 5 %.

### 3.2. FORK

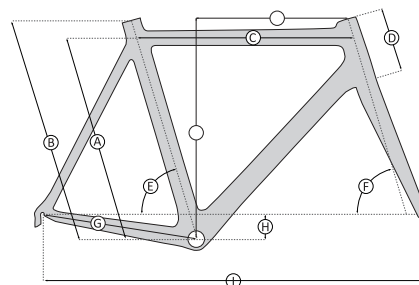
The weight of the 4ZA Oryx fork is around 480 g (\*)

(\*)Weight of painted fork, real weight may differ from the weight mentioned above by 5 %.



## 4. GEOMETRY

SIZE	A	B	C	D	E	F	G	H	I	S	R
41	410	450	502	90	74,5	72	425	53	1000	494	378
48	480	520	525	115	74,5	72	425	57	1010	523	385
50	500	540	530	125	74	72	425	57	1012	533	381
52	520	560	535	145	73,5	72	425	59	1014	554	377
54	540	580	545	165	73,5	72	425	61	1020	575	380
56	560	600	560	185	73,5	72	425	61	1040	594	389
58	580	620	575	205	73	72	425	61	1050	613	394



## 5. CABLE ROUTING

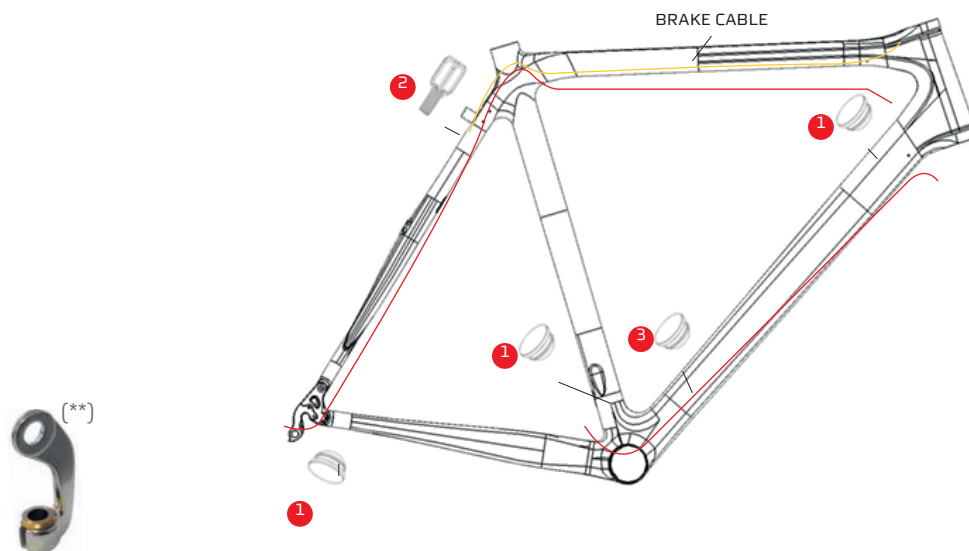
### 5.1. COMPATIBILITY

The X-Fire is compatible for:

Mechanical groupsets

Electronical groupsets: Shimano Di2 & Campagnolo EPS

### 5.2. MECHANICAL CABLE ROUTING



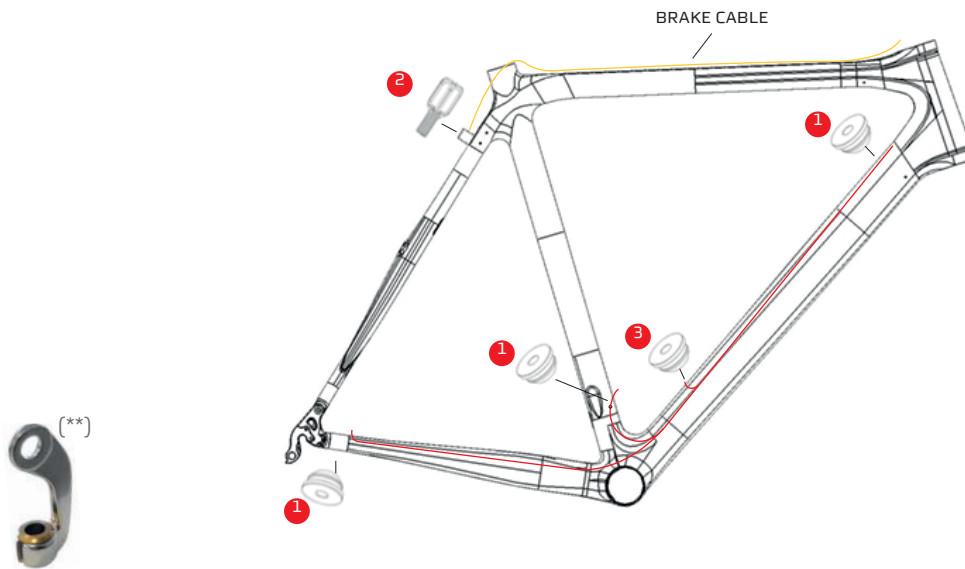
NO.	PART	PART CODE	QUANTITY
1	CLOSED GROMMET	FRPGROJAG002	3
2	CABLE ADJUSTER (*) (**)	CABSTI4ZA005	1
3	CLOSED GROMMET 10 MM	FRPGROJAG007	1

(\*) The cable adjuster is only needed for cyclocross cantilever brakes, not for mini V-brakes.

(\*\*) For the XXS Frame size there's no cable adjuster mount on the frame. Instead of this there's a cable stopper hanger added to assemble at the seatpost clamp.

### 5.3. ELECTRONIC CABLE ROUTING

Below you can find a drawing of the parts needed for an electronic groupset:



NO.	PART	PART CODE	QUANTITY
1	OPEN GROMMET	FRPGROJAG003	3
2	INLINE ADJUSTER (*) (**)	CABSTI4ZA002	1
3	OPEN GROMMET 10MM	FRPGROJAG008	1

(\*) The cable adjuster is only needed for cyclocross cantilever brakes, not for mini V-brakes.

(\*\*) For the XXS Frame size there's no cable adjuster mount on the frame. Instead of this there's a cable stopper hanger added to assemble at the seatpost clamp.

Battery mount position:

On top of the down tube, below the bottle cage.

## 6. PARTS

### 6.1. FORK

The standard fork, used for a X-Fire, is the 4ZA Oryx fork.

#### 6.1.1. MATERIAL

Fork legs: Carbon  
Steerer tube: Carbon

#### 6.1.2. DIMENSIONS

Steerer tube length: 300 mm  
Headset: 1 1/8" upper ring – 1 1/2" lower ring  
Fork rake: 47 mm  
OLD (OverLock nut Distance): 100 mm



### 6.1.3. BRAKES

The 4ZA Oryx fork is suited for most standard cantilever brakes available in the market.

### 6.1.4. PART CODES

All the 4ZA Oryx forks have a particular part code composed by the letters "FORORY4ZA...", added by 3 numbers. The three numbers, depending on the design. Due to the big amount of forks we don't list all the numbers but you can contact your local dealer for more information if needed.

### 6.2. HEADSET

45° Oversized angular contact bearing (S.H.I.S.: Z544/28,6|I552/40):

Lower bearing: 1 1/2"

Upper bearing: 1 1/8"

Recommended headset:

RIDLEY PART CODE	TYPE	BRAND	BRAKES
HSECR5FSA007	9M/CUP/CC-CX/42/ACB	FSA	CYCLO CROSS BRAKES
HSECR5FSA008	9M/CUP/CC/42/ACB	FSA	MINI V-BRAKES

### 6.3. SEAT POST

The X-Fire frame is developed to use a 31,6 mm seat post. To fix the seat post the 4ZA 34,9 mm (Part Code: SPCSNG4ZA011) seat post clamp can be used.

### 6.4. BOTTOM BRACKET

The bottom bracket is designed for press fit BB30 cups with a diameter of 46 mm and width of 68 mm.

Below bottom bracket cups are being used for the standard assembled bikes.

PART CODE	BRAND	DESCRIPTION	CRANKSET
BBRPF3SRA001	SRAM	PRESS FIT BB 30 CUPS	SRAM PRESSFIT BB 30 CRANKSETS
BBRPF3SRA003	SRAM	PRESS FIT BB 30 TO BSA 68 ADAPTER	SRAM BSA 68 CRANKSETS SHIMANO BSA 68 CRANKSETS
BBRPF3CAM002	CAMPAGNOLO	ULTRA TORQUE™ OS-FIT™ INTEGRATED CUPS BB30 68X46	CAMPAGNOLO ULTRA TORQUE CRANKSETS
BBRPF3CAM003	CAMPAGNOLO	POWER TORQUE™ OS-FIT™ INTEGRATED CUPS BB30 68X46	CAMPAGNOLO POWER TORQUE CRANKSETS
BBRPF3CBE005	C-BEAR	C-BEAR CUPS FOR SHIMANO, FSA AND ROTOR 24 MM AXLES	SHIMANO HOLLOWTECH II, FSA MEGA EXO, ROTOR 3D

## 6.5. BRAKES

The X-Fire is suited for most standard cantilever brakes, available in the market.

## 6.6. DERAILLEUR

### 6.6.1. FRONT

The frame is designed to use a clamp on down pull derailleur for a 34,9 mm seat tube. Also a braze on derailleur can be used if it's used together with the 4ZA 34,9 mm front derailleur clamp (Part code: FDCNOB4ZA004).

### 6.6.2. REAR

The hanger, used for the X-Fire is the HAARCERID031.



## 6.7. DROP OUTS

The carbon drop outs have stainless steel inserts for extra protection.

# 7. WHEELS AND TIRES

## 7.1. FRAME

The frame is developed for 700C cyclocross wheels with a build in width of 130 mm and a quick release system with a maximum diameter of 9 mm.

## 7.2. FORK

The fork is developed for 700C cyclocross wheels with a build in width of 100 mm and a quick release system with a maximum diameter of 9 mm.

# 8. WARRANTY INFORMATION

## 8.1. MAXIMUM RIDER WEIGHT

The maximum advised rider weight is 95 kg.

**#BeTOUGH**