

FENIX ALU DISC
FRAME PASSPORT

TYPE : 7E0
LAST UPDATE: 03/10/2017

**INDEX**

0. FOREWORD	3
1. PART CODES	3
2. MATERIAL	3
3. WEIGHT	3
3.1. Frame.....	3
3.2. Fork.....	3
4. GEOMETRY.....	4
5. COMPATIBILITY.....	4
6. PARTS	5
6.1. Fork.....	5
6.1.1. Material.....	5
6.1.2. Dimensions	5
6.1.3. Part codes	5
6.2. Headset.....	5
6.3. Seat post.....	6
6.4. Bottom bracket	6
6.5. Brakes.....	6
6.6. Deraillieur	6
6.6.1. Front.....	6
6.6.2. Rear.....	6
7. WHEELS AND TIRES.....	7
7.1. Frame.....	7
7.2. Fork.....	7
7.3. Tires	7
8. WARRANTY INFORMATION.....	7
8.1. Maximum rider weight	7

0. FOREWORD

Our frames, forks and components are in a continuous state of upgrade and development. We strongly advise checking our website for new updates before reading this document.

1. PART CODES

All the Fenix Alu Disc frames have a specific part code composed by the letters “FRAFEDRID...”, followed by 3 numbers. The three numbers change depending on the design and size of the frame. Due to the big number of frames we don't list all the numbers but you can contact your local dealer for more information if needed.

2. MATERIAL

The Fenix Alu Disc is built out of high quality 6061 triple butted heat-treated aluminum.

3. WEIGHT

3.1. FRAME

size	weight (*)
XXS	1450 grams
XS	1490 grams
S	1540 grams
M	1600 grams
L	1670 grams
XL	1750 grams

(*) Weight of painted frame, real weight may differ from the weight mentioned above by 10 %.

3.2. FORK

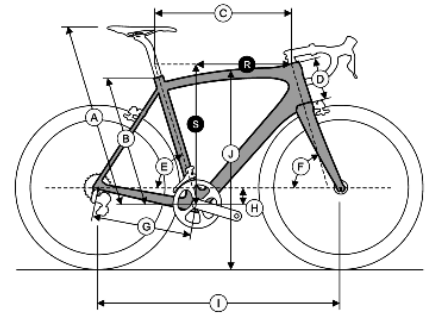
The weight of the 4ZA helium SLA Disc fork is around: 420 g (*)

(*) Weight of painted fork, real weight may differ from the weight mentioned above by 10 %.

4. GEOMETRY

SIZE	A	B	C	D	E	F	G	H	I	J*	S	R
XXS	745	450	515	107	75.0	71.8	410	68	975	737	505	380
XS	775	480	525	127	74.0	71.8	410	68	975	762	524	375
S	805	510	545	142	73.5	73.0	410	66	982	785	540	385
M	835	540	565	172	72.8	73.5	410	66	992	816	570	391
L	865	570	585	202	72.5	73.5	413	63	1010	845	596	397
XL	895	600	600	227	72.5	74	425	70	1052	868	637	399

(*) J: Stand over height



5. COMPATIBILITY

The Fenix ALU Disc is compatible for mechanical group sets only.

PART	PART CODE	LOCATION
RIDLEY BB CABLE GUIDE	CBGR CERID002	BOTTOM BRACKET

6. PARTS

6.1. FORK

The Fenix Alu Disc comes with the Fenix SL Disc fork. It is a full carbon monocoque fork with tapered steerer

6.1.1. MATERIAL

Fork legs: 24 & 30 ton high Modulus Carbon
Steerer tube: 24 & 30 ton high Modulus Carbon

6.1.2. DIMENSIONS

Steerer tube length: 300 mm
Headset: 1 1/8" upper ring 1 1/2" lower ring
Fork rake: 45 mm
OLD (OverLock nut Distance): 100 mm

6.1.3. PART CODES

All the Helium SLA Disc forks have a specific part code composed by the letters "FORCFR4ZA...", followed by 3 numbers. The three numbers vary depending on model and graphic design. Due to the big number of forks we don't list all the numbers but you can contact your local dealer for more information if needed.

6.2. HEADSET

45° Oversized angular contact bearing (S.H.I.S.: IS42/28,6|IS52/40):

Lower bearing: 1 1/2"
Upper bearing: 1 1/8"

ridley part code	type	brand
HSERACDEE002	HDIN85ASUJR	DEDA
HSERACFSA008	NO.42/ACB-A-H6091	FSA

6.3. SEAT POST

The Fenix ALu Disc frame is developed to use a 27,2 mm seat post. To fix the seat post the 4ZA 31,8 mm (Part Code: SPCSNGNOB001) seat post clamp can be used.

6.4. BOTTOM BRACKET

bottom bracket is BSA threaded and has a width of 68 mm to fit standard BSA68 cups.

6.5. BRAKES

The Fenix ALu Disc is compatible with most standard disc brakes available in the market.

Fork:

Type: Flat mount

Max. rotor size: 160mm*

Frame:

Type: Flat mount

Max. rotor size: 160mm*

* Fork and frame are designed to use a 140 mm rotor. A 160 mm rotor can be mounted by use of an adapter.

6.6. DERAILLEUR

6.6.1. FRONT

The frame is designed to use a clamp on derailleur for a 31,8 mm seat tube.

Also a braze on derailleur can be mounted by using the 4ZA 34,9 mm front derailleur clamp (Part code: FDCNOB4ZA004).

6.6.2. REAR

The hanger used for the Fenix ALu Disc is the HANRCERID036.



7. WHEELS AND TIRES

7.1. FORK

The fork is developed for 700C race wheels with a build in width of 100 mm and a quick release system with a maximum diameter of 9 mm.

7.2. FRAME

The frame is developed for 700C race wheels with a build in width of 130 mm and a quick release system with a maximum diameter of 10 mm.

7.3. TIRES

We recommend a maximum tire width of 28 mm with a maximum rim width of 28 mm.

Please note that not all tire manufacturers use the same sizing standard so we recommend to do assembly check and confirm clearances.

8. WARRANTY INFORMATION

8.1 MAXIMUM RIDER WEIGHT

The maximum advised rider weight is 110 kg.

#BeTOUGH