

LIZ CARBON

FRAME PASSPORT

TYPE: 7D9

LAST UPDATE: 05/10/2017



#BeTOUGH

**INDEX**

0. UPDATES.....	3
1. GENERAL.....	3
1.1. Description.....	3
1.2. Part codes.....	3
2. MATERIAL	3
3. WEIGHT	3
3.1. Frame.....	3
3.2. Fork.....	3
4. GEOMETRY.....	4
5. CABLE ROUTING	4
5.1. Compatibility.....	4
5.2. Mechanical cable routing.....	4
5.3. Electronic cable routing.....	5
6. PARTS	6
6.1. Fork.....	6
6.1.1. Material.....	6
6.1.2. Dimensions	6
6.1.3. Wheels.....	6
6.1.4. Part codes	6
6.2. Headset.....	6
6.3. Seat post.....	7
6.4. Bottom bracket	7
6.5. Brakes.....	7
6.6. Derailleur	8
6.6.1. Front.....	8
6.6.2. Rear.....	8
6.7. Drop outs	8
7. WHEELS AND TIRES.....	8
7.1. Frame.....	8
7.2. Tires	8
8. WARRANTY INFORMATION.....	8
8.1. Maximum rider weight	8

0. UPDATES

The development of frames, forks and components is a continuous running process. Therefore we strongly advise before reading this information sheet check our website for new updates.

1. GENERAL

1.1. DESCRIPTION

Due to the unique design, the Liz is a multi purpose frame that can be used for recreational and competitive riding. The oversized sharp edge tubing ensures a high level of stiffness and is extremely strong in all areas. The specially developed flex areas in the seat- and chain stays absorb vibrations from the road to give the rider the right amount of comfort. The Liz geometry is especially designed for women. It has a shorter top tube and taller head tube for a more balanced riding position.

1.2. PART CODES

All the Liz frames have a particular part code composed by the letters "FRALICRID...", added by 3 numbers. The three numbers change depending on the design and size of the frame. Due to the big amount of frames we don't list all the numbers but you can contact your local dealer for more information if needed.

2. MATERIAL

Used frame materials:

- 24 ton High Modulus Carbon
- Stainless steel (drop out protection plates)

3. WEIGHT

3.1. FRAME

SIZE	WEIGHT (*)
XXS	1110 GRAMS
XS	1130 GRAMS
S	1150 GRAMS
M	1180 GRAMS

(*) Weight of painted frame, real weight may differ from the weight mentioned above by 10 %.

3.2. FORK

The weight of the 4ZA Liz Carbon fork is around 390 g (*)

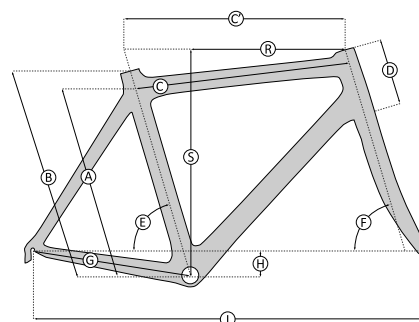
(*) Weight of painted fork, real weight may differ from the weight mentioned above by 10 %.



4. GEOMETRY

SIZE	A	B	C	C'	D	E	F	G	H	I	J*	S	R
XXS	410	450	490	500	110	75,5	70,5	405	67	975	712	485	365
XS	430	470	495	505	115	75	70	405	67	978	725	492	370
S	450	490	505	515	130	75	71	405	67	982	740	500	375
M	480	520	520	530	155	74,5	72	405	67	975	762	522	380

(*) J: Stand over height



5. CABLE ROUTING

5.1. COMPATIBILITY

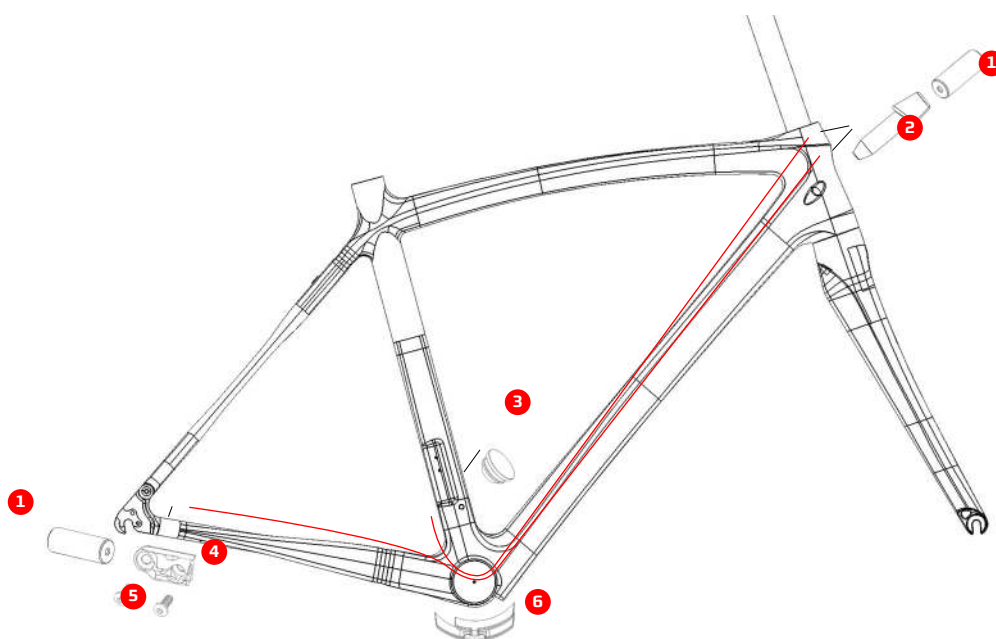
The Liz is compatible for:

Mechanical groupsets

Electronical groupsets: Shimano Di2, Campagnolo EPS & SRAM eTap

5.2. MECHANICAL CABLE ROUTING

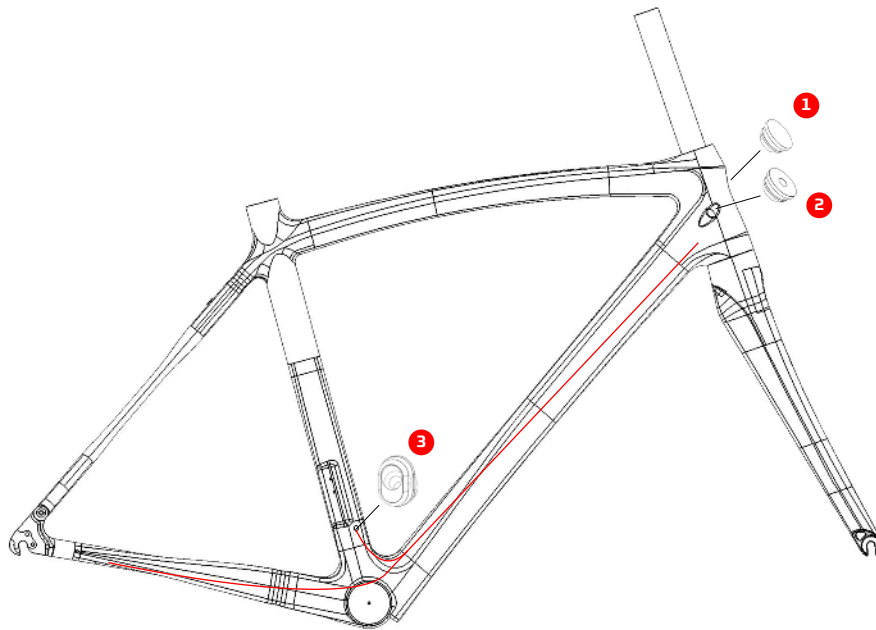
Below you can find the parts needed for a mechanical groupset:



NO.	PART	PART CODE	QUANTITY
1	END CAP, SHIFTER CABLE	CABSTIJAG002	3
2	CABLE STOPPER	FRPSTORID006	2
3	CLOSED GROMMET	FRPGROJAG002	1
4	REPLACEABLE CABLE STOPPER	FRPCSTRID002	1
5	BOLT REPLACEABLE CABLE STOPPER	BLTNOBRID019	2
6	CABLE GUIDE	CBGR CERID007	1

5.3. ELECTRONIC CABLE ROUTING

Below you can find a drawing of the parts needed for an electrical groupset:



NO.	PART	PART CODE	QUANTITY
1	CLOSED GROMMET	FRPGROJAG002	1
2	OPEN GROMMET	FRPGROJAG003	1
3	DI2 GROMMET	FRPGROJAG009	1

The replacable cable stopper under the chain stay is only needed for a mechanical shifter cable and can be removed for the electrical configuration.

The battery has to be mounted below the down tube.



6. PARTS

6.1. FORK

The standard fork, used for a Liz, is the 4ZA Liz Carbon fork.

6.1.1. MATERIAL

Fork legs: Carbon

Steerer tube: Carbon

6.1.2. DIMENSIONS

Steerer tube length: 300 mm

Headset: 1 1/8" upper ring – 1 1/2" lower ring

Fork rake: 45 mm

OLD (OverLock nut Distance): 100 mm

6.1.3. WHEELS

The fork is developed for 700C race wheels with a build in width of 100 mm and a quick release system with a maximum diameter of 9 mm.

6.1.4. PART CODES

All the 4ZA Liz Carbon forks have a particular part code composed by the letters "FORCFR4ZA...", added by 3 numbers. The three numbers, depending on the design. Due to the big amount of forks we don't list all the numbers but you can contact your local dealer for more information if needed.

6.2. HEADSET

45° Oversized angular contact bearing (S.H.I.S.: IS42/28,6|IS52/40):

Lower bearing: 1 1/2"

Upper bearing: 1 1/8"

Recommended headsets:

RIDLEY PART CODE	TYPE	BRAND
HSERACFSA004	NO.42/ACB	FSA
HSERACFSA005	NO.42/CFST/ACB	FSA

6.3. SEAT POST

The Liz frame is developed to use a 31,6 mm seat post.

6.4. BOTTOM BRACKET

The frame is designed for Press-Fit BB86 cups with a diameter of 41 mm and width of 86,5 mm. Below bottom bracket cups are being used for the standard assembled bikes.

PART CODE	BRAND	DESCRIPTION	COMPATIBLE CRANKSETS
BBR892SHI001	SHIMANO	SHIMANO BB92-41B PRESS-FIT CUPS	24MM SPINDLE CRANKSETS
BBR872SHI001	SHIMANO	SHIMANO BB72-41B PRESS-FIT CUPS	24MM SPINDLE CRANKSETS

6.5. BRAKES

The Liz is suited for most standard brakes, available in the market.

! PAY ATTENTION THE USED BRAKE BOLT NUT IS NOT LONGER THAN 10 MM



6.6. DERAILLEUR

6.6.1. FRONT

The Liz frame is equipped with a full replaceable braze on clamp (Part code: FDCFEC4ZA001) for the front derailleur.



6.6.2. REAR

The hanger, used for the Liz is the HAARCERID031.



6.7. DROP OUTS

The carbon drop outs have stainless steel inserts for extra protection.

7. WHEELS AND TIRES

7.1. FRAME

The frame is developed for 700C race wheels with a build in width of 130 mm and a quick release system with a maximum diameter of 10 mm.

7.2. TIRES

We recommend a maximum tire width of 25 mm with a maximum rim width of 28 mm. Please note that not all tire manufacturers use the same sizing standard so we recommend to do assembly check and confirm clearances.

8. WARRANTY INFORMATION

8.1 MAXIMUM RIDER WEIGHT

The maximum advised rider weight is 110 kg.

#BeTOUGH