



SHARE YOUR RIDE

#BUILTFORGLORY



X-NIGHT

FRAME PASSPORT

TYPE: 7DE

LAST UPDATE: 10/12/2015



UCI APPROVED

INDEX

0.	UPDATES.....	3
1.	GENERAL	3
1.1.	PART CODES	3
1.2.	UCI.....	3
2.	MATERIAL.....	3
3.	WEIGHT.....	3
3.1.	FRAME.....	3
3.2.	FORK.....	3
4.	GEOMETRY	4
5.	CABLE ROUTING.....	4
5.1.	COMPATIBILITY	4
5.2.	MECHANICAL CABLE ROUTING	4
5.2.1.	WITHOUT INNER CABLE LINERS	4
5.2.2.	WITH INNER CABLE LINERS	5
5.3.	ELECTRONIC CABLE ROUTING.....	6
5.3.1.	SHIMANO DI2.....	6
5.3.2.	CAMPAGNOLO EPS.....	7
6.	PARTS.....	8
6.1.	FORK.....	8
6.1.1.	MATERIAL.....	8
6.1.2.	DIMENSIONS	8
6.1.3.	BRAKES	8
6.1.4.	WHEELS	8
6.1.5.	PART CODES	8
6.2.	HEADSET.....	8
6.3.	SEAT POST.....	8
6.4.	BOTTOM BRACKET.....	9
6.5.	BRAKES.....	9
6.6.	DERAILLEUR	9
6.6.1.	FRONT	9
6.6.2.	REAR.....	9
6.7.	WHEELS.....	9
7.	WARRANTY INFORMATION.....	9
7.1.	MAXIMUM RIDER WEIGHT.....	9

0. UPDATES

The development of frames, forks and components is a continuous running process. Therefore we strongly advise before reading this information sheet check our website for new updates.

1. GENERAL

1.1. PART CODES

All the X-Night frames have a particular part code composed by the letters “FRAXNIRID...”, added by 3 numbers. The three numbers change depending on the design and size of the frame. Due to the big amount of frames we don't list all the numbers but you can contact your local dealer for more information if needed.

1.2. UCI

This frame is approved by the UCI certificate.

2. MATERIAL

Used frame materials:

- 30 ton High Modulus Carbon
- 24 ton High Modulus Carbon
- Stainless steel (drop out protection plates)

3. WEIGHT

3.1. FRAME

SIZE	WEIGHT (*)
50	1120 GRAMS
52	1140 GRAMS
54	1160 GRAMS
56	1190 GRAMS
58	1230 GRAMS

(*) Weight of painted frame, real weight may differ from the weight mentioned above by ± 10 %.

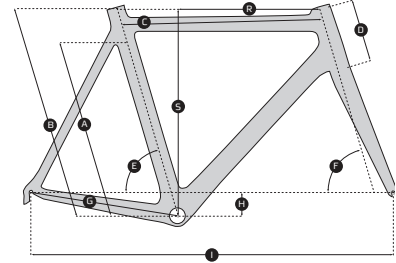
3.2. FORK

The weight of the 4ZA Oryx fork is around 460 g (*)

(*)Weight of painted fork, real weight may differ from the weight mentioned above by ± 10 %.

4. GEOMETRY

SIZE	A	B	C	D	E	F	G	H	I	S	R
50	500	540	530	105	74	72	425	60	999	779	381
52	520	560	535	121	73,5	72	425	62	999	797	376
54	540	580	545	140	73,5	72	425	64	1009	816	380
56	560	600	560	160	73,5	72	425	64	1009	835	389
58	580	620	575	179	73	72	425	64	1034	853	394



5. CABLE ROUTING

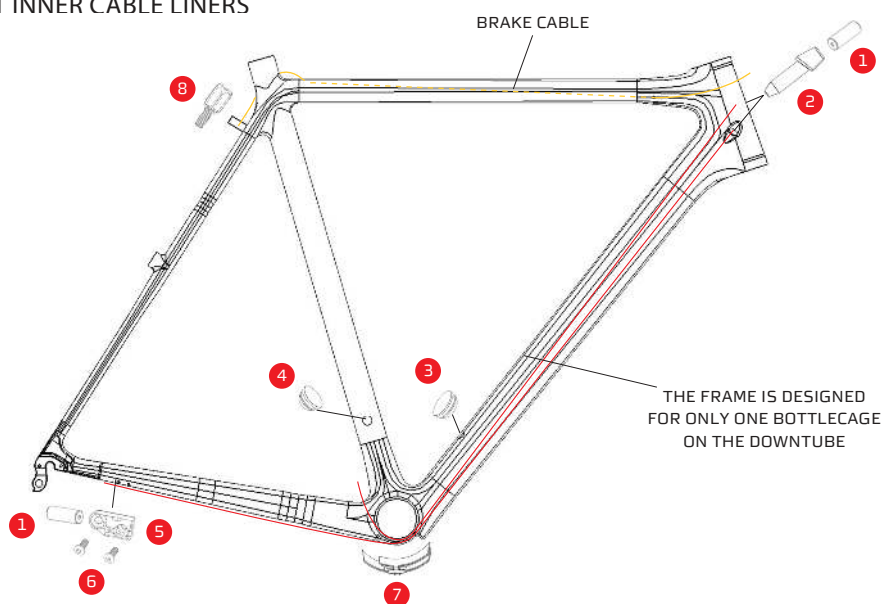
5.1. COMPATIBILITY

- Mechanical groupsets
- Electronical groupsets: Shimano Di2 & Campagnolo EPS

5.2. MECHANICAL CABLE ROUTING

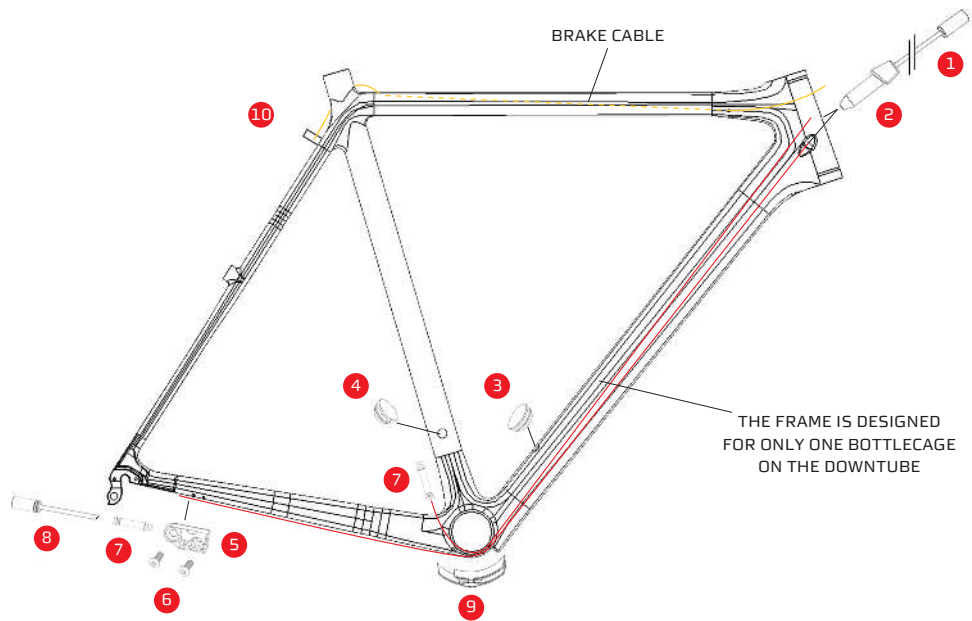
Below you can find the parts needed for a mechanical groupset.

5.2.1. WITHOUT INNER CABLE LINERS



NO.	PART	PART CODE	QUANTITY
1	END CAP, SHIFTER CABLE	CABSTIJAG037	3
2	CABLE STOPPER	FRPSTORID006	2
3	CLOSED GROMMET	FRPGROJAG007	1
4	CLOSED GROMMET	FRPGROJAG002	1
5	REPLACEABLE CABLE STOPPER	FRPCSTRID002	1
6	BOLT REPLACEABLE CABLE STOPPER	BLTNOBRID019	2
7	CABLE GUIDE	CBGR CERID007	1
8	CABLE ADJUSTER (*)	CABSTI4ZA005	1

5.2.2. WITH INNER CABLE LINERS

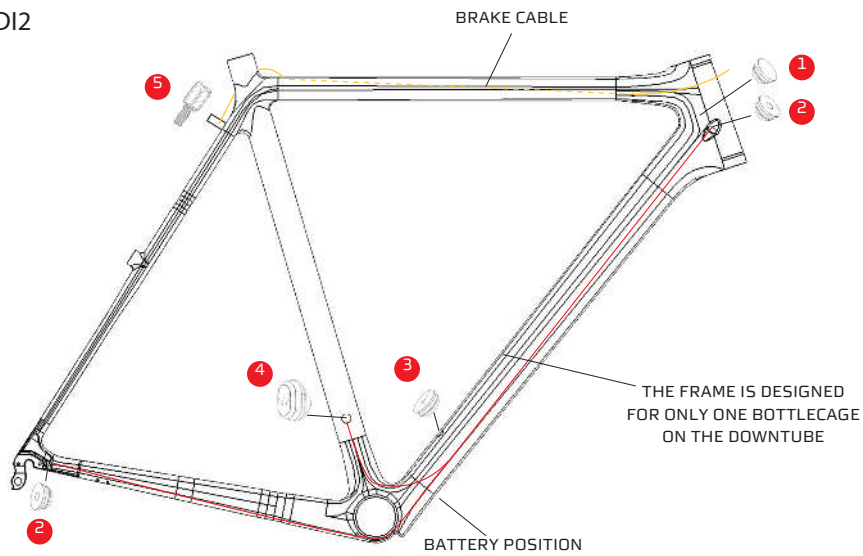


NO.	PART	PART CODE	QUANTITY
1	END CAP WITH LINER	CABSTIJAG037	2
2	CABLE STOPPER	FRPSTORID006	2
3	CLOSED GROMMET	FRPGROJAG007	1
4	CLOSED GROMMET	FRPGROJAG002	1
5	REPLACEABLE CABLE STOPPER	FRPCSTRID002	1
6	BOLT REPLACEABLE CABLE STOPPER	BLTNOBRID019	2
7	RUBBER CABLE BOOT	CABSTIJAG038	2
8	LINED END CAP	CABSTIJAG035	1
9	CABLE GUIDE	CBGR CERID007	1
10	CABLE ADJUSTER (*)	CABSTI4ZA005	1

5.3. ELECTRONIC CABLE ROUTING

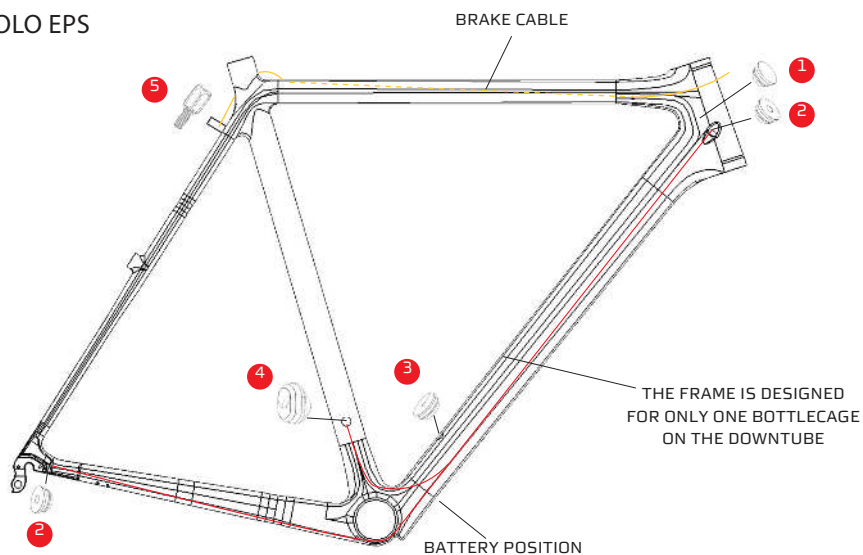
Below you can find a drawing of the parts needed for an electronic groupset:

5.3.1. SHIMANO DI2



NO.	PART	PART CODE	QUANTITY
1	CLOSED GROMMET	FRPGROJAG002	1
2	OPEN GROMMET	FRPGROJAG003	2
3	DI2 GROMMET	FRPGROJAG008	1
4	DI2 GROMMET	FRPGRORID009	1
5	CABLE ADJUSTER (*)	CABSTI4ZA005	1

5.3.2. CAMPAGNOLO EPS



NO.	PART	PART CODE	QUANTITY
1	CLOSED GROMMET	FRPGROJAG002	1
2	OPEN GROMMET	FRPGROJAG003	2
3	EPS GROMMET	SEE CAMPAGNOLO	1
4	EPS GROMMET	SEE CAMPAGNOLO	1
5	CABLE ADJUSTER (*)	CABSTI4ZA005	1

6. PARTS

6.1. FORK

The standard fork, used for a X-Night, is the 4ZA Oryx fork.

6.1.1. MATERIAL

- Fork legs: Carbon
- Steerer tube: Carbon

6.1.2. DIMENSIONS

- Steerer tube length: 300 mm
- Headset: 1 1/8" upper ring – 1 1/2" lower ring
- Fork rake: 47 mm
- OLD (OverLock nut Distance): 100 mm

6.1.3. BRAKES

The 4ZA Oryx fork is suited for most standard cantilever brakes available in the market.

6.1.4. WHEELS

The fork is developed for 700C race wheels with a build in width of 100 mm and a quick release system with a maximum diameter of 9 mm.

6.1.5. PART CODES

All the 4ZA Oryx forks have a particular part code composed by the letters "FORORY4ZA...", added by 3 numbers. The three numbers, depending on the design. Due to the big amount of forks we don't list all the numbers but you can contact your local dealer for more information if needed.

6.2. HEADSET

45° Oversized angular contact bearing (S.H.I.S.: IS 44/28,6 | IS52/40):

- Lower bearing: 1 1/2"
- Upper bearing: 1 1/8"

Recommended headset (cable stopper included):

RIDLEY PART CODE	TYPE	BRAND
HSECRSFS008	9M/CUP/CC-CX/42/ACB	FSA

6.3. SEAT POST

The X-Night is designed to use a 27,2 mm seat post.

6.4. BOTTOM BRACKET

The bottom bracket is designed for press fit BB30 cups with a diameter of 46 mm and width of 68 mm.

Below bottom bracket cups are being used for the standard assembled bikes.

PART CODE	BRAND	DESCRIPTION	CRANKSET
BBRPF3SRA001	SRAM	PRESS FIT BB 30 CUPS	SRAM PRESSFIT BB 30 CRANKSETS
BBRPF3SRA003	SRAM	PRESS FIT BB 30 TO BSA 68 ADAPTER	SRAM BSA 68 CRANKSETS SHIMANO BSA 68 CRANKSETS
BBRPF3CAM002	CAMPAGNOLO	ULTRA TORQUE™ OS-FIT™ INTEGRATED CUPS BB30 68X46	CAMPAGNOLO ULTRA TORQUE CRANKSETS
BBRPF3CAM003	CAMPAGNOLO	POWER TORQUE™ OS-FIT™ INTEGRATED CUPS BB30 68X46	CAMPAGNOLO POWER TORQUE CRANKSETS

6.5. BRAKES

The X-Night is suited for most standard cantilever brakes available in the market.

6.6. DERAILLEUR

6.6.1. FRONT

The frame is designed to use a braze on down pull derailleur.

6.6.2. REAR

The hanger for the X-Night is HANRCERID033

6.7. WHEELS

The frame is developed for 700C wheels with a build in width of 130 mm and a quick release system with a maximum diameter of 10 mm.

7. WARRANTY INFORMATION

7.1 MAXIMUM RIDER WEIGHT

The maximum advised rider weight is 95 kg.

#BUILTFORGLORY